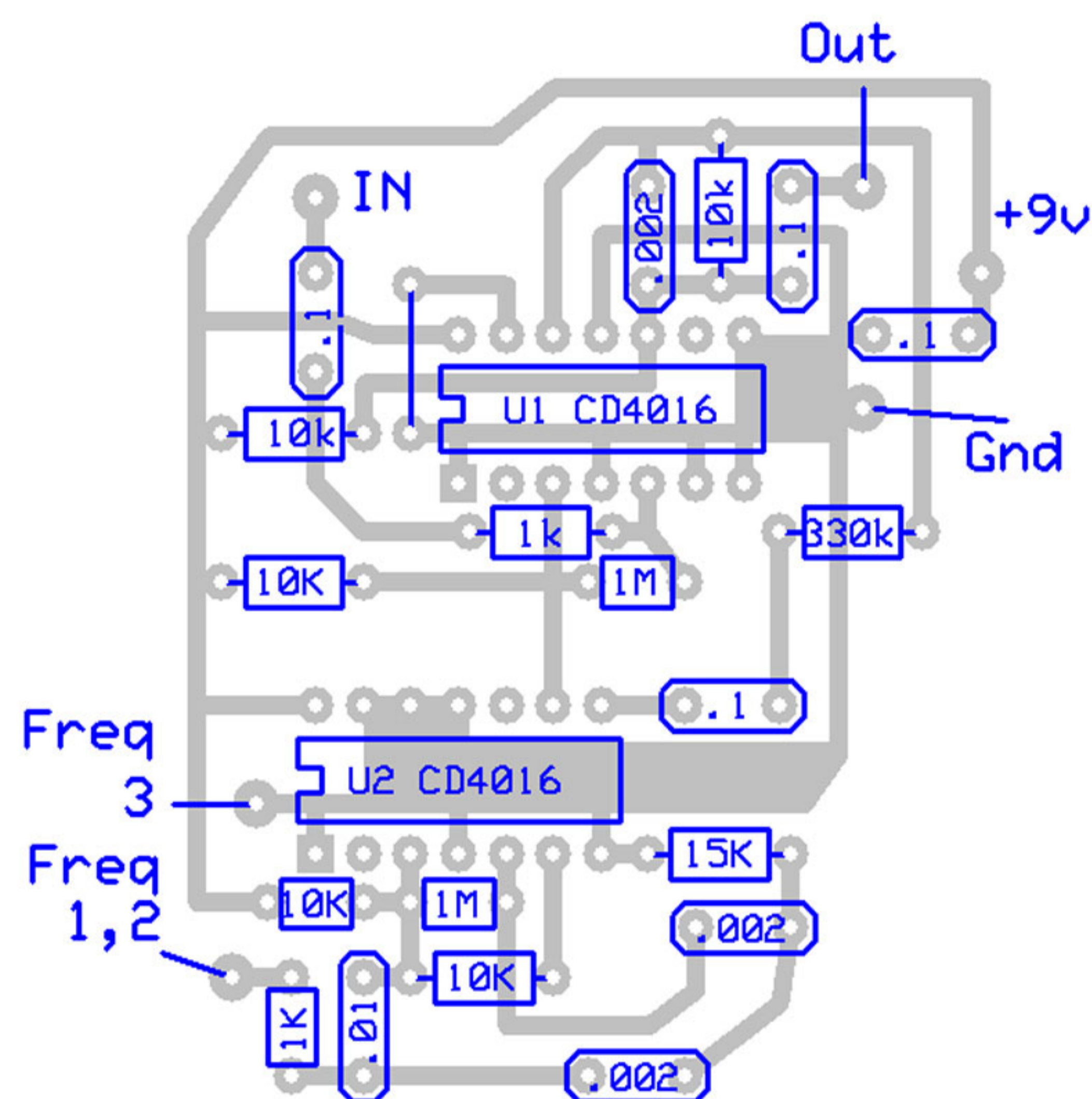


Nyquist Aliaser

CMOS VERSION

Designed by Miguel Canel "Biroids"
Layout by Basicaudio

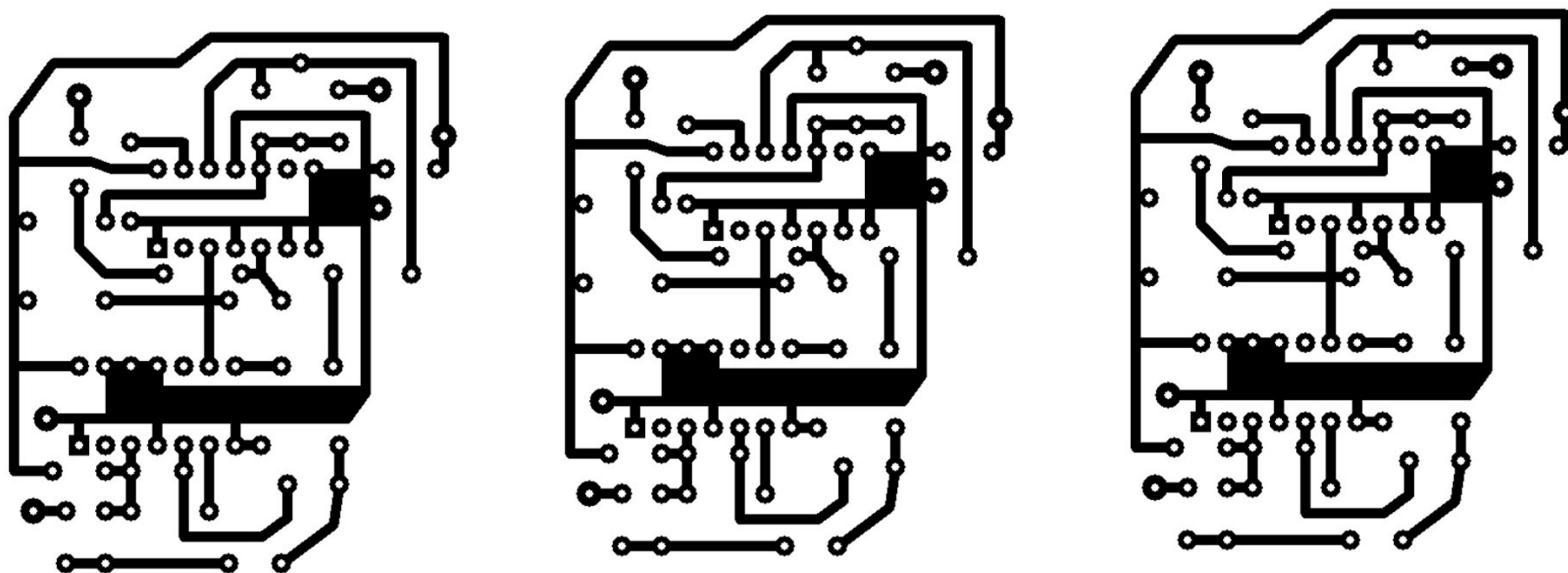


Produces a hard edged ring modulator-ish type sound. Ringing tones are usable all over the neck. Very good sustain and note decay.

Very Low level bleedthrough. Keeping the wiring straight to the frequency pot and keeping the input and output wires separated will give you the best bleedthrough rejection.

I used two CD4016BE CMOS chips

The output is a little below unity gain. I recommend building a LBP2 circuit or some other booster afterwards to boost the level to where you want it.



Printing this pdf with no page scaling will give you a correctly sized toner transfer